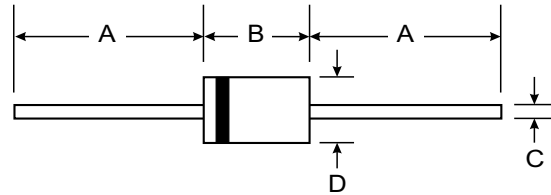


### Features

- Glass Passivated Die Construction
- Diffused Junction
- Ultra-Fast Switching for High Efficiency
- High Current Capability and Low Forward Voltage Drop
- Surge Overload Rating to 60A Peak
- Low Reverse Leakage Current
- Plastic Material: UL Flammability Classification Rating 94V-0



### Mechanical Data

- Case: Molded Plastic
- Terminals: Plated Leads Solderable per MIL-STD-202, Method 208
- Polarity: Cathode Band
- Marking: Type Number
- Weight: 0.4 grams (approx.)
- Mounting Position: Any

DO-15		
Dim	Min	Max
A	25.40	—
B	5.50	7.62
C	0.686	0.889
D	2.60	3.6
All Dimensions in mm		

### Maximum Ratings and Electrical Characteristics @ T<sub>A</sub> = 25°C unless otherwise specified

Single phase, half wave, 60Hz, resistive or inductive load.  
For capacitive load, derate current by 20%.

Characteristic	Symbol	UG2001	UG2002	UG2003	UG2004	UG2005	Unit
Peak Repetitive Reverse Voltage	V <sub>RRM</sub>						
Working Peak Reverse Voltage	V <sub>RWM</sub>	50	100	200	400	600	V
DC Blocking Voltage	V <sub>R</sub>						
RMS Reverse Voltage	V <sub>R(RMS)</sub>	35	70	140	280	420	V
Average Rectified Output Current (Note 1)	I <sub>o</sub>	2.0					A
@ T <sub>A</sub> = 55°C							
Non-Repetitive Peak Forward Surge Current	I <sub>FSM</sub>	60					A
8.3ms Single half sine-wave Superimposed on Rated Load (JEDEC Method)							
Forward Voltage	V <sub>FM</sub>	1.0			1.3	1.7	V
@ I <sub>F</sub> = 2.0A							
Peak Reverse Current	I <sub>RM</sub>				8.0		μA
@ T <sub>A</sub> = 25°C							
at Rated DC Blocking Voltage					100		
@ T <sub>A</sub> = 100°C							
Reverse Recovery Time (Note 3)	t <sub>rr</sub>	50					ns
Typical Junction Capacitance (Note 2)	C <sub>j</sub>	20				10	pF
Typical Thermal Resistance Junction to Ambient	R <sub>θJA</sub>	50					K/W
Operating and Storage Temperature Range	T <sub>j</sub> , T <sub>STG</sub>	-65 to +150					°C

- Notes:
1. Valid provided that leads are maintained at ambient temperature at a distance of 9.5mm from the case.
  2. Measured at 1.0MHz and applied reverse voltage of 4.0V DC.
  3. Measured with I<sub>F</sub> = 0.5A, I<sub>R</sub> = 1.0A, I<sub>rr</sub> = 0.25A. See figure 5.

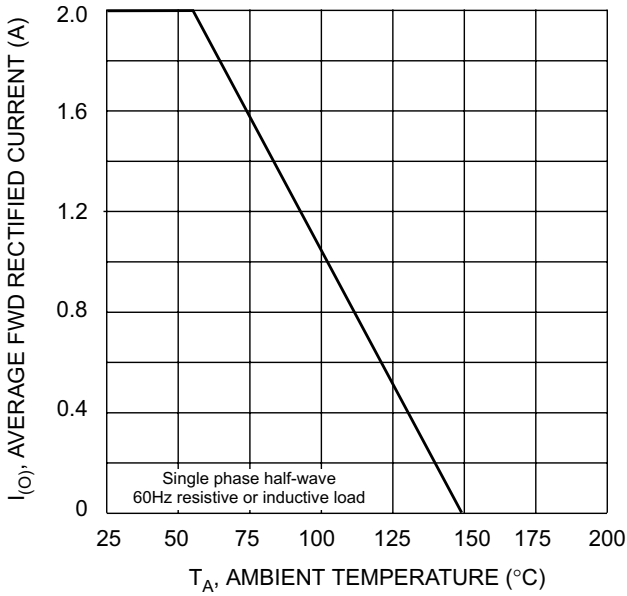


Fig. 1 Forward Current Derating Curve

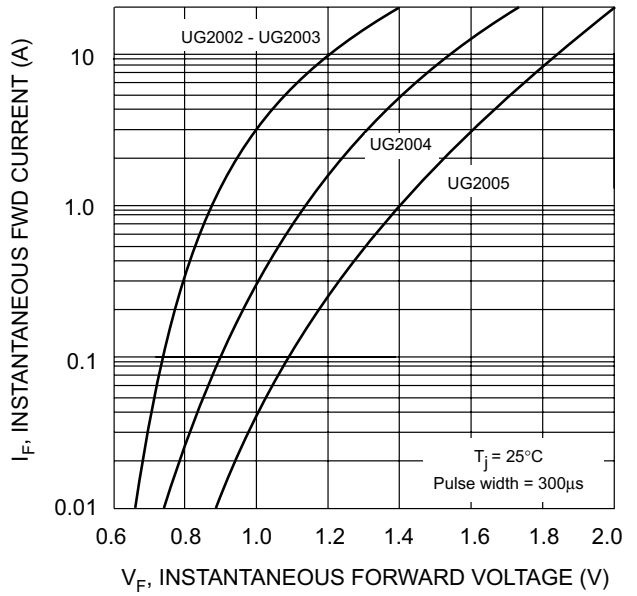


Fig. 2 Typical Forward Characteristics

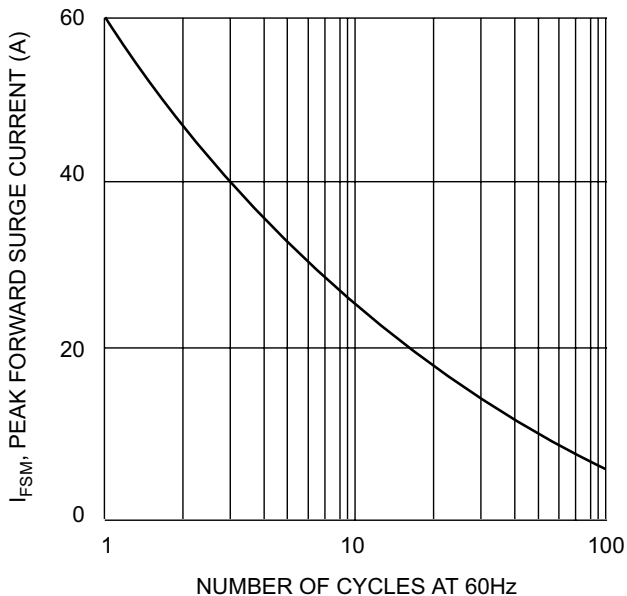


Fig. 3 Peak Forward Surge Current

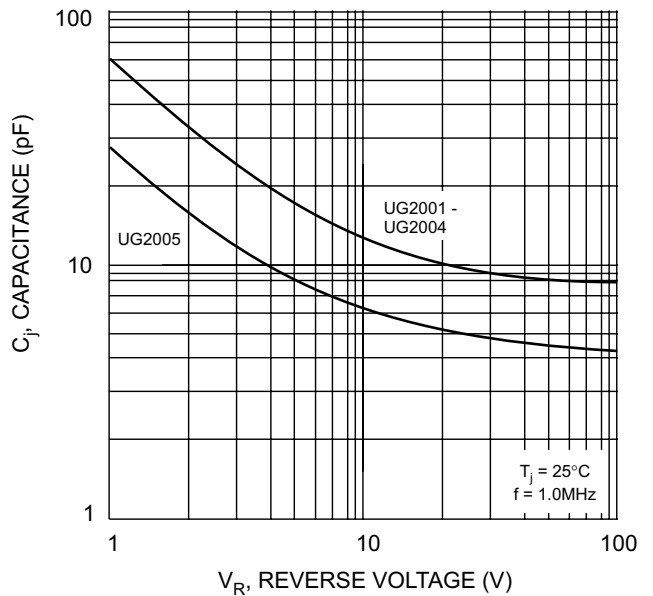
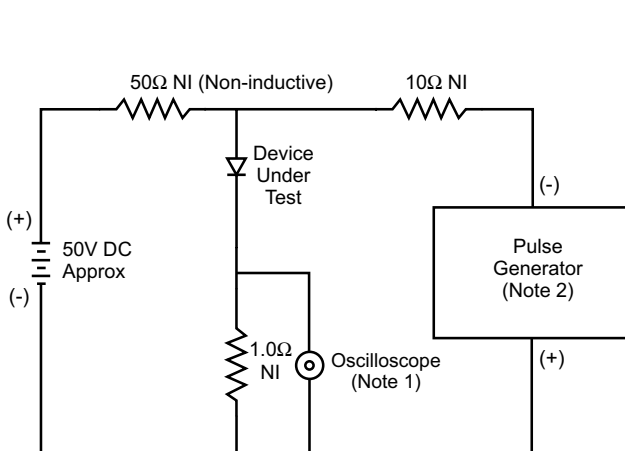


Fig. 4 Typical Junction Capacitance



- Notes:
1. Rise Time = 7.0ns max. Input Impedance = 1.0MΩ, 22pF.
  2. Rise Time = 10ns max. Input Impedance = 50Ω.

Set time base for 50/100 ns/cm

Fig. 5 Reverse Recovery Time Characteristic and Test Circuit